



# Catapult™ 1000

Compact Precision Bench Scales



## ***Rugged design, economical form, and quality.***

OHAUS Catapult™ 1000 compact bench scales offer users reliable and precise performance in an affordable, compact design. The Catapult 1000 family offers three capacities, from 20 lb up to 165 lb, reading in pounds and kilograms, with both weighing and dynamic weighing / display hold modes. Catapult 1000 scales are easy to transport and carry with built in carrying handles. Other standard features include an AC power pack, as well as battery operation with power saving auto-shut off mode. OHAUS Catapult 1000 series compact bench scales are the perfect solution for home use, general shipping applications, veterinary weighing, and other dry weighing applications where low cost, portability, and precision are required.

### ***Standard Features Include:***

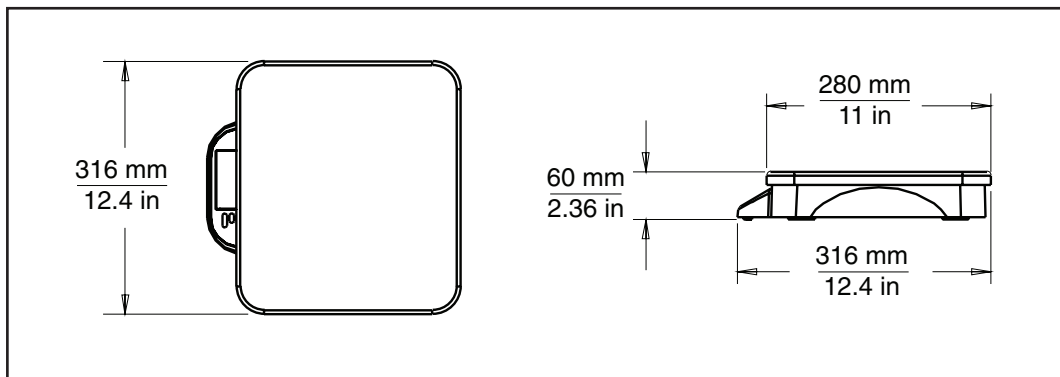
- **Ultra Portable Design** – Catapult 1000 is easy to transport and hold with its light weight, battery operation, and built in handles
- **Durable** – Overload protection is designed into Catapult 1000 weigh cells and makes the scale ideal for tough environments where capacity is exceeded regularly
- **Most Value in its Class** – All Catapult 1000 scales come standard with dynamic weighing mode, auto shutoff, battery or AC power and unparalleled OHAUS durability

# Catapult™ 1000 Compact Bench Scales

## Specifications

| Model                      | C11P9  | C11P20                       | C11P75                       |
|----------------------------|--|------------------------------|------------------------------|
| Capacity x Readability     | 20 x 0.01 lb<br>9 x 0.005 kg   | 44 x 0.02 lb<br>20 x 0.01 kg | 165 x 0.1 lb<br>75 x 0.05 kg |
| Weighing Units/Modes       | lb or kg   |                              |                              |
| Functions                  | Weighing, dynamic weighing / display hold                                      |                              |                              |
| Keyboard                   | Two mechanical switches  |                              |                              |
| Calibration                | Digital external span calibration  |                              |                              |
| Display (H x W)            | 1 x 2.8 in / 26 x 70 mm, 7 segment 4 digit LCD                                 |                              |                              |
| Tare Range                 | Full capacity by subtraction   |                              |                              |
| Stabilization Time         | <=2 seconds  |                              |                              |
| Operating Temp. & Humidity | 41° F (5° C) to 104° F (40° C) at 10% to 80% relative humidity, non-condensing |                              |                              |
| Construction               | ABS plastic housing and pan  |                              |                              |
| Power                      | AC powered (included) or (3) 'C' batteries (not included)                      |                              |                              |
| Battery Life               | 300 hours with alkaline cells with auto off after 4 minutes of inactivity      |                              |                              |
| Dimensions (L x W x H)     | 10.5 x 12.0 x 2.4 in / 266 x 304 x 60 mm                                       |                              |                              |
| Pan Size (L x W)           | 11.0 x 12.4 in / 280 x 316 mm  |                              |                              |
| Net Weight                 | 3.5 lbs / 1.5 kg (not including AC adapter)                                    |                              |                              |
| Shipping Weight            | 4.4 lbs / 2kg  |                              |                              |

## Outline Dimensions



## Standard Features

Built in carry handles, large LCD, ABS plastic housing with reinforced ribs, two raised tactile keys, standard AC power adapter or three 'C' cell battery operation (batteries not included), low battery detect, rubber non-slip feet, digital external calibration

## Accessories

Stainless steel weighing pan (p/n 80251248)

## Compliance

- **Electrical/Emissions:** Meets requirements of approval agencies: UL/CSA (adapter), FCC, CE Safety EN60950, EMC EN61326  
Compliant to Directive 2002/96/EC on waste electrical and electronic equipment (WEEE)
- **Quality:** Ohaus quality management system registered to ISO 9001:2008

## OHAUS CORPORATION

\* 7 Campus Drive  
Suite 310  
Parsippany, NJ 07054 USA

Tel: 800.672.7722  
973.377.9000  
Fax: 973.944.7177

[www.ohaus.com](http://www.ohaus.com)

*With offices throughout Europe,  
Asia, and Latin America*

\* **ISO 9001**  
Registered Quality Management System



Proudly Sold & Serviced By:  
**Able Scale Co Pty Ltd**  
Ph: 1300 731 360

21 Green St Thomastown VIC. 3074

find us on the web: [www.ablescale.com.au](http://www.ablescale.com.au)

80774367\_B © Copyright Ohaus Corporation

